

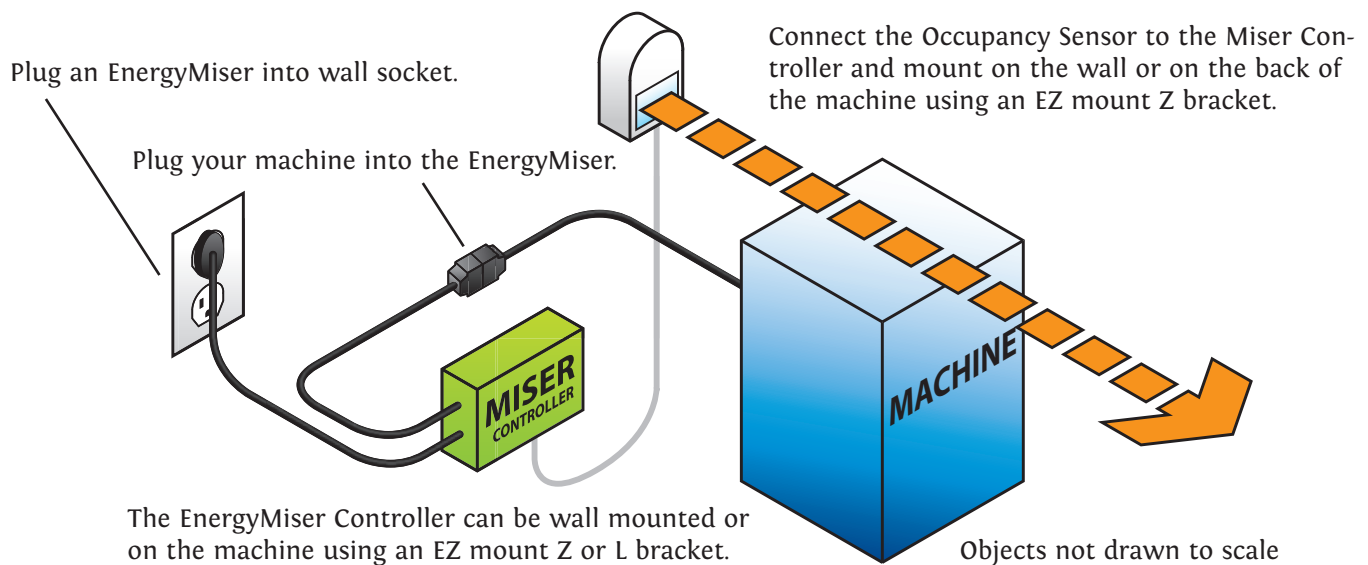
ENERGYMISER®

EnergyMiser® Products are easy to install devices designed to lower the energy consumption of vending machines, commercial coolers, and other “always on” machines and appliances. No other technology can compete with its price and ease of installation for the immediate energy savings that can be achieved.

- Save clients up to \$150 per machine, per year
- Typical return on investment in 12 months
- Easy retrofit field installation
- Reduction in machine energy use an average of 35-45%
- Reduced machine maintenance and longer machine lifespans
- Environmental benefits such as reducing pollution and natural resource use

How EnergyMisers Work

External EnergyMisers use a controller and a machine mounted sensor to monitor room occupancy and temperature. If 15 minutes pass without any pedestrian traffic, the EnergyMiser will power down the machine. The machine is powered back up when people return and at regular intervals to keep the product cold. External controllers are best suited for low traffic areas.



Internal EnergyMisers use sales based intelligence to power down the cooling system while leaving lighting and controller electronics on. While the cooling system is powered down, the internal EnergyMiser monitors the room’s temperature and automatically re-powers the cooling system at regular intervals to keep the product cold. Internal controllers are best suited for high traffic areas.

Who Uses EnergyMisers

Several large retailers such as Wal-Mart and Kroger have installed EnergyMiser Products at their locations. Educational facilities along with the US Government have purchased EnergyMisers through GSA. Also, many utilities offer rebates on the purchase of EnergyMiser products and several have provided customers with EnergyMiser Products at no cost through Turnkey Programs.